

Technical Calculation:

Customer:	Pracownia Projektowa	Date :	18-10-2018
Calculation ID:			
Project Name:	Hospicjum	Software:	ParaCalc_Beta02
Calc. Name:	Joanna Jaskulska		

Design Duty:

	Side 1	Side 2
Fluid Name :	Water	Eth.glyc.
Concentration % :	-	40
Heat Load kW :	53,6	
Inlet Temperature °C :	70	45
Outlet Temperature °C :	50	60
Mass Flow Rate kg/s :	0,642	0,983

Selected Exchanger:

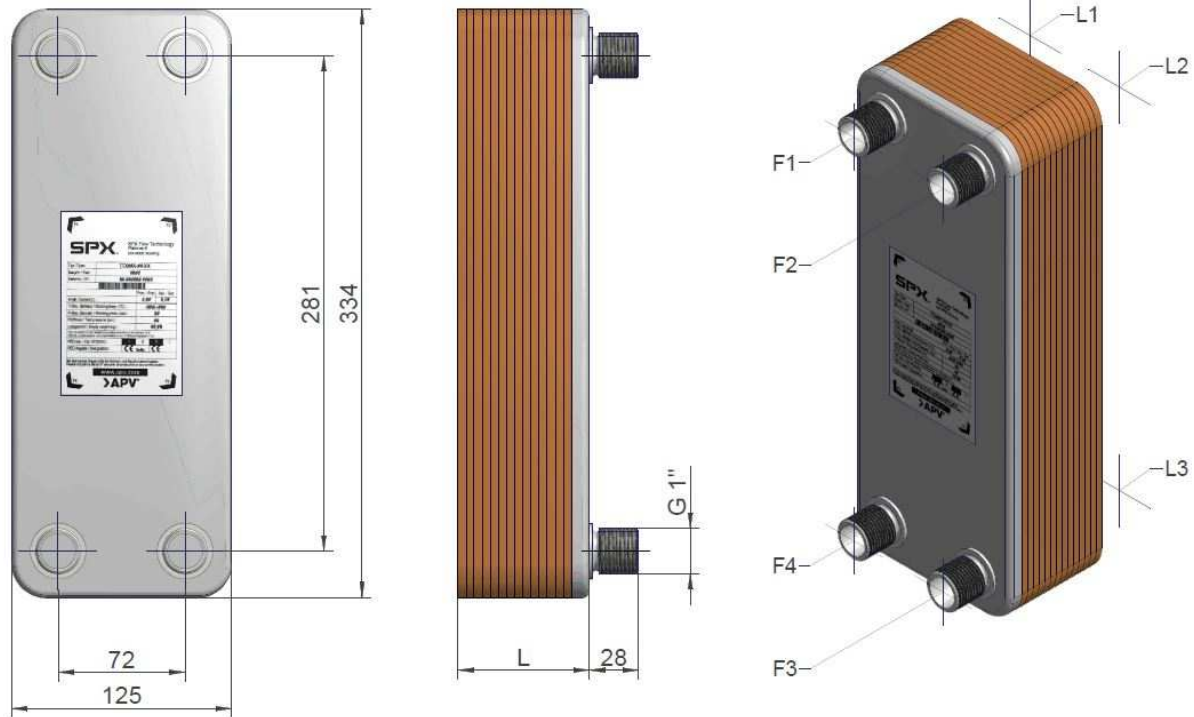
1 x TTU11H-70-BB

Exchanger Duty Specifications:

	Side 1	Side 2
Total Heat Transfer Area m ² :	3,06	
Log Mean Temperature Difference K :	7,21	
Overall H.T.C. W/m ² ,K :	2687/2428	
Surface Margin % :	11	
Calculated Pressure Drop kPa :	2,46	5,6
Number of Channels :	1*34H	1*35H
Total Number of Plates :	70	
Volume l :	2,4922	2,5655
Max. Operating Temperature °C :	195	195
Max. Operating Pressure bar :	30	30
Test Pressure bar :	45	45



Exchanger Physical & Connection Specifications:



Sizes in mm unless otherwise indicated		Side 1	Side 2
Length Of Plate Package "L"	mm :	170	
Weight (Empty)	kg :	9,38	
Plate material	:	1.4404	
Connection Material	:	1.4301	1.4301
Connection Position	in/out :	F1/F4	F3/F2

